

FLOORAL

RAISED ACCESS FLOOR SYSTEMS

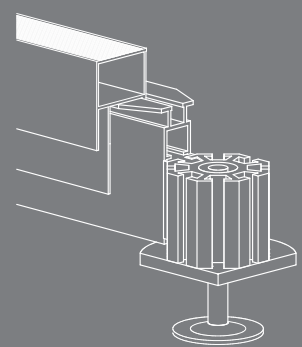
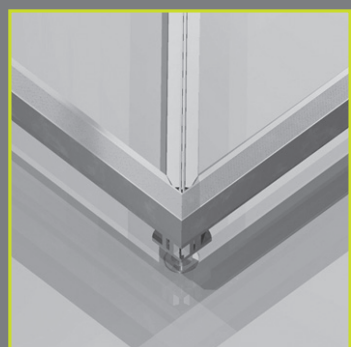
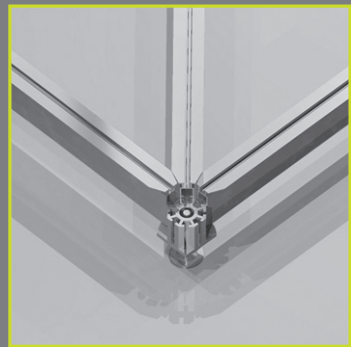
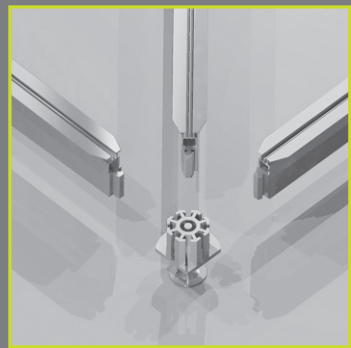


- *Seamless tile positioning*
- *Different tile dimensions*
- *Different tile materials*
- *Fast and tool-free assembly*





RAISED ACCESS FLOOR SYSTEMS

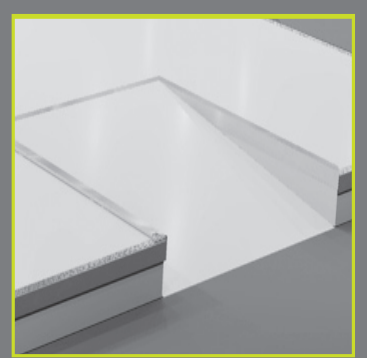
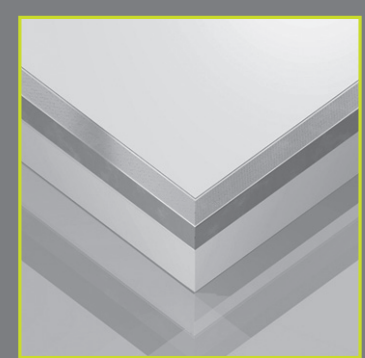
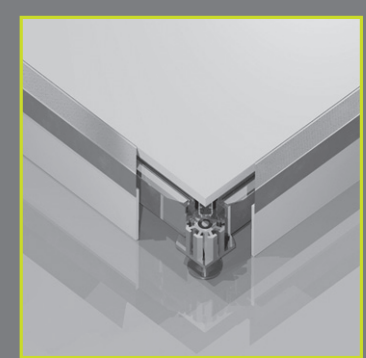
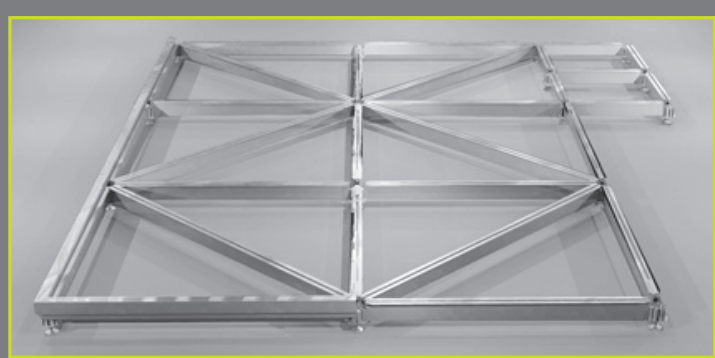


**FLOORAL 2** support beams slide into adjustable feet in order to create the floor grid. The assembly of the grid is a tool-free process, saving time and labor cost at Trade Fairs. The system supports 25mm thick floor tiles.

**FLOORAL 2** introduces the **TRI-AXIS** support beam technology, allowing the use of different sized tiles and the combination of different tile materials within the same framework. Floor tile positioning is **seamless**.

**FLOORAL 2** raised access floor allows you to create in no time innumerable floor configurations and combinations of tile materials providing memorable presentations with the reliability and accuracy of a system built.

Contact us to receive our technical catalog and price list!



- **Seamless tile positioning**
- **Use of different tile dimensions**  
variable tile formats
- **Use of different tile materials**
- **Fast & tool-free assembly**  
saving time at Trade Shows
- **High-end finishing**  
provides memorable presentations
- **Easy handling & administration**  
the system consists of few parts
- **Easy levelling**  
adjustable on uneven ground
- **Load capacity**  
up to 500kg/sq.m
- **Adjustable height**  
variable from 120mm-190mm
- **Low environmental footprint**  
reusability of system components

Your authorised dealer



**EXSITE - P. Andronikos & Co. E.E**

**12, Ntalias str. GR 136 77 Athens, Greece**

Tel. +30 210 4924100, Fax. +30 210 4838507

e-mail: info@exsite.gr

[www.exsite.gr](http://www.exsite.gr)

[www.flooral.eu](http://www.flooral.eu)

